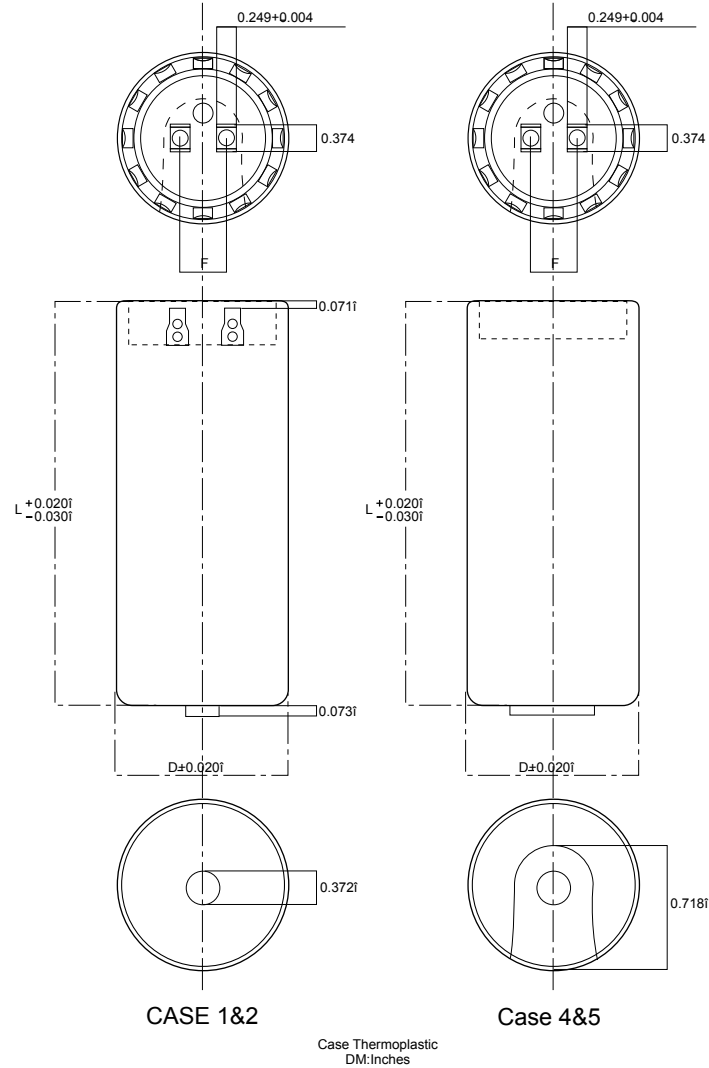


# AC Motor Start Capacitors

## MaxStart® Thermoplastic Case

### Capacitance vs. Case Dimensions\*

Voltage	110	125	165	220	250	330
Capacitance Value $\mu$ F	Case Size	Case Size	Case Size	Case Size	Case Size	Case Size
21-25	1	1	1	1	1	1
25-30	1	1	1	1	1	1
30-36	1	1	1	1	1	1
36-43	1	1	1	1	1	1
43-52	1	1	1	1	1	2
47-56	1	1	1	1	1	2
53-64	1	1	1	1	1	1
64-77	1	1	1	1	1	2
72-86	1	1	1	1	1	2
88-106	1	1	1	1	1	4
108-130	1	1	1	1	1	4
124-149	1	1	1	1	2	4
130-156	1	1	1	1	2	4
145-175	1	1	1	1	4	5
161-193	1	1	1	2	4	5
189-227	1	1	1	2	4	5
216-259	1	1	1	4	4	5
233-280	1	1	1	4	4	
243-292	1	1	1	4		
270-324	1	1	1	4		
324-389	1	1	2	4		
340-408	1	1	2	4		
378-454	1	1	4	5		
400-480	1	1	4	5		
430-516	1	2	4	5		
460-552	1	2	4	5		
540-648	2	4	4			
590-708	4	4	4			
708-850	4	4	5			
829-995	4	4				
1000-1200	4	5				
1020-1224	4	5				
1175-1410	5	5				



Case Size	D $\varnothing$	F	L
1	1,437(36,50)	0,500(12,70)	2,750(69,85)
2	1,437(36,50)	0,500(12,70)	3,375(85,72)
4	1,812(46,02)	0,630(16,00)	3,375(85,72)
5	1,812(46,02)	0,630(16,00)	4,375(111,12)

Dim: Inches(mm)

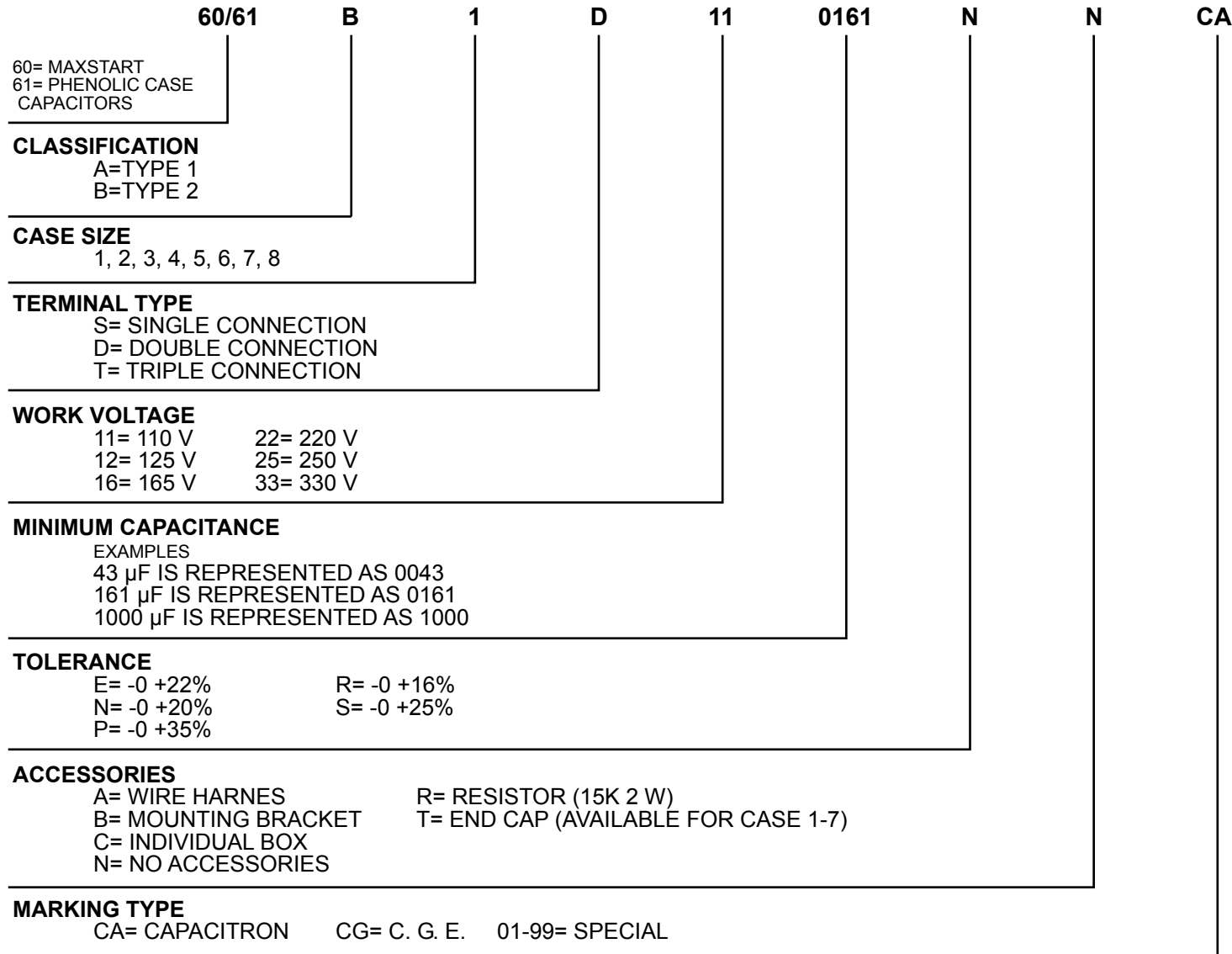
#### General Note

All Capacitors are available in larger cases sizes than those indicated in the chart.

# AC Motor Start Capacitors

## MaxStart® Thermoplastic Case

### Part Numbering System



Consult [www.cge.com.mx](http://www.cge.com.mx) for a cross reference of all manufacturers of A.C. Motor Start Caps

