

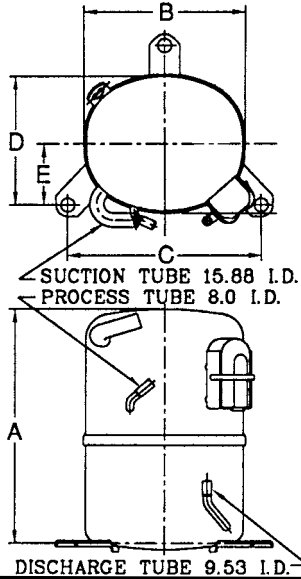


KULTHORN KIRBY PUBLIC CO.,LTD.

TECHNICAL SPECIFICATION

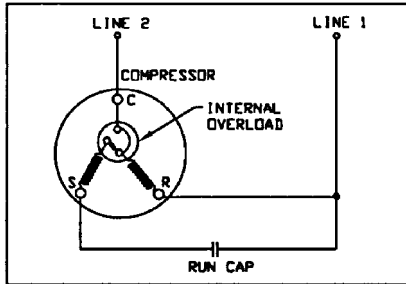
HERMETIC COMPRESSOR AW5528EK-2PL3

PRINCIPAL DIMENSIONS - mm



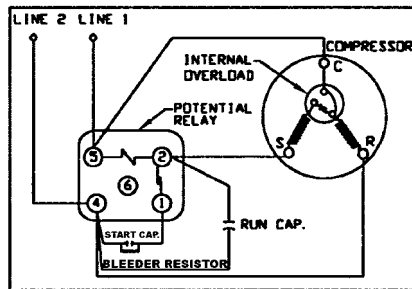
A	324
B	223
C	248
D	215
E	72

SCHEMATIC WIRING DIAGRAM - P.S.C.



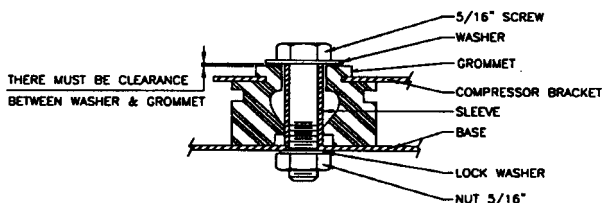
Low Torque Start

SCHEMATIC WIRING DIAGRAM - C.S.R.



Option for High Torque Start Only

MOUNTING KIT



Since we are constantly improving our product ,
the specification are subject to change without notice.

ELECTRICAL : 208-230 Volt. 60 Hz. 1 Phase

Nominal Performance

Cooling Capacity :	8,148	Watts (27,801)	BTU/Hr
	7,006	Kcal/Hr	
Power Input :	2,780	Watts	
Lock Rotor Amps :	66.00	Amps	
Rated Load Amps :	12.90	Amps	
COP :	2.93	Watts/ Watts	

Testing Conditions

Condensing Temperature :	54.4	°C
Evaporating Temperature :	+7.2	°C
Liquid Temperature :	46.1	°C
Return Gas Temperature :	35	°C
Ambient Temperature :	35	°C

Application

Evaporating Range :	HBP A/C	:	0 °C t +13 °C
Heat Pump :		:	-23.3 °C t +13 °C

Refrigerant :	R22
Expansion :	Capillary Tube
Compressor Cooling :	Fan

Compressor and Motor data

Compression Type :	Reciprocating
Displacement :	48.4 cc.
Bore :	39.37 mm.
Stroke :	19.89 mm.
Oil Type :	Mineral Oil
Oil Charge :	964 cc.
Motor Type :	P.S.C. ; 2 Pole 3500 r / m
Voltage Range :	198-264 Volts 60 Hz.
Winding Resistance at 25 °C	

Start :	2.60 Ohms
Run :	0.80 Ohms

Weight with Oil :	28.58	Kg.
Weight with Oil and Accessories :	28.98	Kg.

Electrical Components

Motor Protector :

Type :	Internal Overload
Model Number :	KGE 657-1 (15HM2415-148)
Open / Close :	115-125 / 78-60 °C
1st Cycle trip :	73 Amps

Motor Starter (CSR Only) :

Type :	Potential Relay
Model Number :	KGE 680-7 (GE3ARR3-U3P2)
Pick Up :	162-175 Volts
Drop Out :	40-90 Volts
Terminal Cover :	KGM 901-2

Start Capacitor (CSR Only) : 161-193 μ F 330 VAC.

Run Capacitor : 40 μ F 370/440 VAC.

Mounting Kit

Rubber Grommet :	KGM 905
Sleeve Grommet :	KGM 903

REV. DATE

03-12-04

C / N No.

0009/02

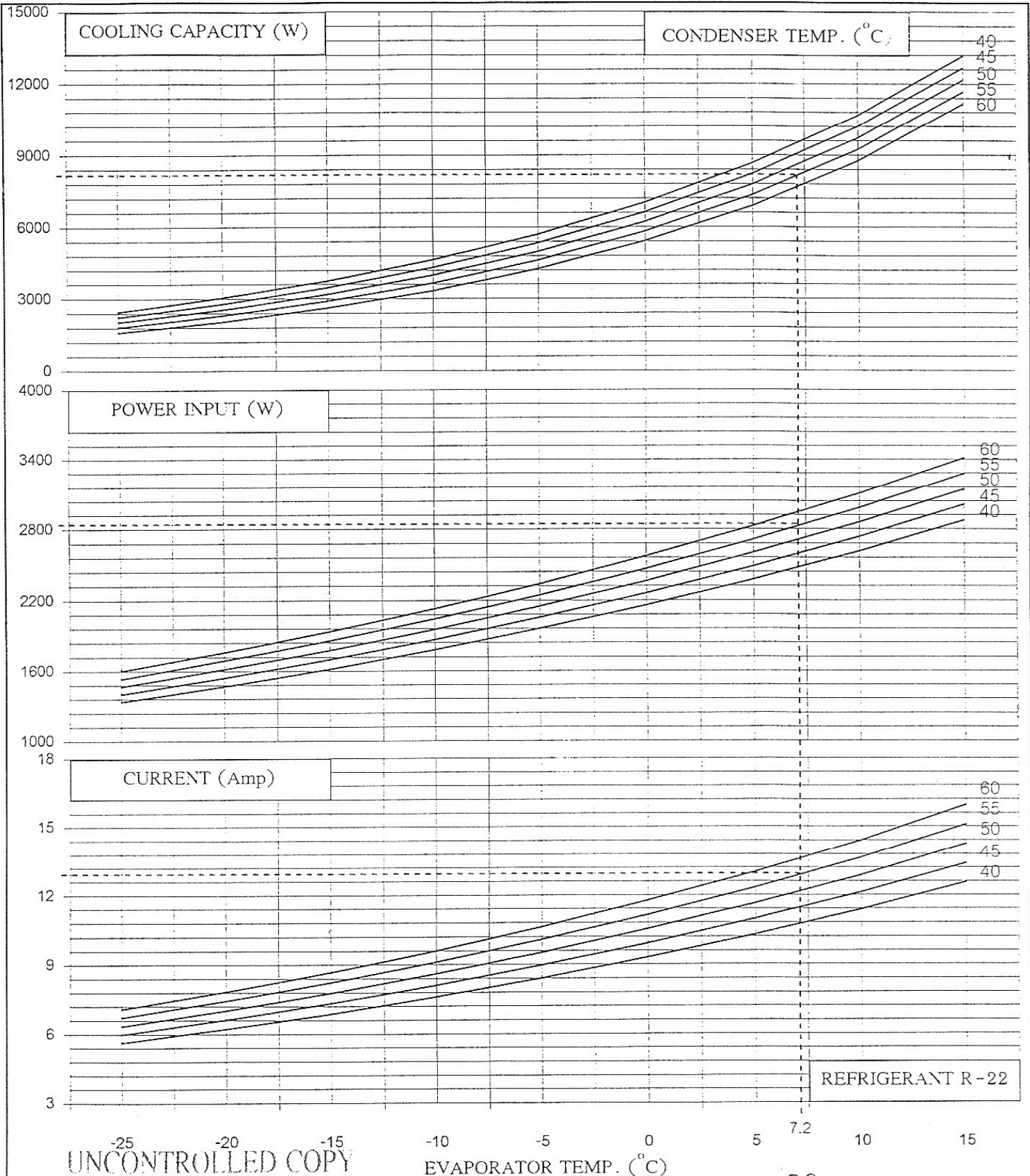


KULTHORN KIRBY PUBLIC CO., LTD.
 THAILAND - *Tecumseh* LICENSEE

HERMETIC
 COMPRESSOR
 AW 5528EK-2

PERFORMANCE CURVES

Electrical : 208-230 Volt 60 Hz 1 Phase Motor Type P.S.C./C.S.R



UNCONTROLLED COPY

Cooling Capacity 8170 W
 Power Input 2830 W
 Current 12.9 Amp

At rating
 Condition

PERFORMANCE CURVES
 FOR MOTOR COMPRESSOR

Prepared by: *[Signature]* Date: 10/07/03
 Approved by: *[Signature]* Date: 10/07/03
 (Motor Design Supervisor)