

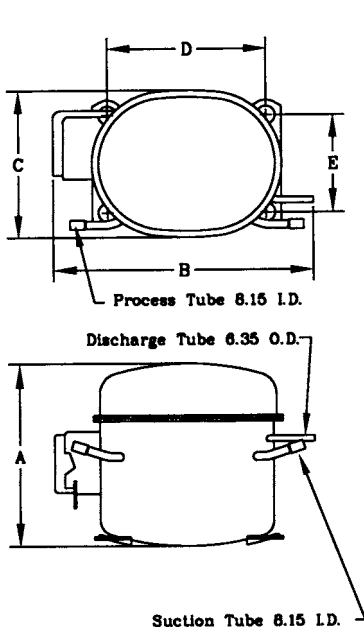


KULTHORN KIRBY PUBLIC CO.,LTD.

TECHNICAL SPECIFICATION

**HERMETIC
COMPRESSOR
AE4430Y-3**
High Torque Start

PRINCIPAL DIMENSIONS - mm



A	189
B	277
C	159
D	165
E	102

ELECTRICAL : 100 Volt. 50/60 Hz. 1 Phase

Nominal Performance

Cooling Capacity :	820 / 940	Watts (2,798 / 3,207)	BTU/Hr
	705 / 808		Kcal/Hr
Power Input :	412 / 475		Watts
Lock Rotor Amps :	25.80 / 24.00		Amps
Rated Load Amps :	6.00 / 5.90		Amps
COP :	1.99 / 1.98		Watts/ Watts

Testing Conditions

Condensing Temperature :	54.4	° C
Evaporating Temperature :	+7.2	° C
Liquid Temperature :	46.1	° C
Return Gas Temperature :	35	° C
Ambient Temperature :	35	° C

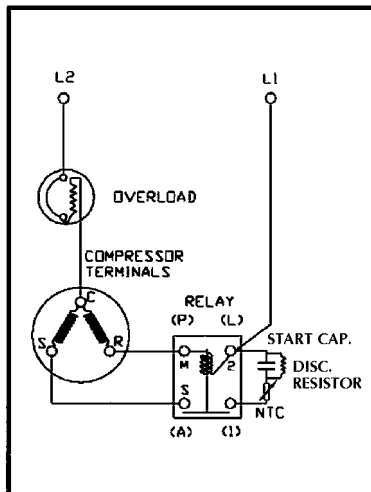
Application

Evaporating Range :	HBP	@ 0	° C to +12.7 ° C
Refrigerant :	R134a		
Expansion :	Capillary Tube		
Compressor Cooling :	Fan		

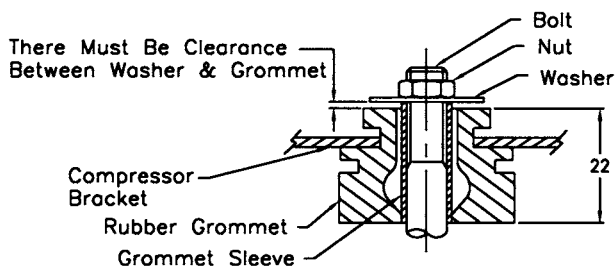
Compressor and Motor data

Compression Type :	Reciprocating
Displacement :	8.86 cc.
Oil Type :	Polyolester Oil
Oil Charge :	350 cc.
Motor Type :	C.S.I.R. ; 2 Pole 2880 / 3500 r / m
Voltage Range :	90 - 110 Volts 50/60 Hz.
Winding Resistance at 25 ° C	
Start :	4.20 Ohms
Run :	1.23 Ohms
Weight with Oil :	10.10 Kg.
Weight with Oil and Accessories :	10.40 Kg.

SCHEMATIC WIRING DIAGRAM - C.S.I.R.



MOUNTING KIT



Electrical Components

Motor Protector :

Type :	External 3/4"
Model Number :	KME 664-2/C (MRT24AJN-69)
Open / Close :	115-125 / 78-60 ° C
1st Cycle trip at 25 ° C :	18.60 Amps

Motor Starter :

Type :	Current Relay
Model Number :	KME 682-18NT (9660A243NT-179)
Pick Up (max.) :	16.2 Amps
Drop Out(min.) :	14.2 Amps
Terminal Cover :	KMD 901-5
Start Capacitor :	120 μ F 250 VAC.
Run Capacitor :	No μ F No VAC.
Disch. Resistor :	15000 Ohms 2 W

Mounting Kit

Rubber Grommet :	KMD 905-3
Sleeve Grommet :	KMD 903-2
Washer :	KEB 387

Since we are constantly improving our product ,
the specification are subject to change without notice.

REV. DATE

03-09-03

C / N No.

0189/03