

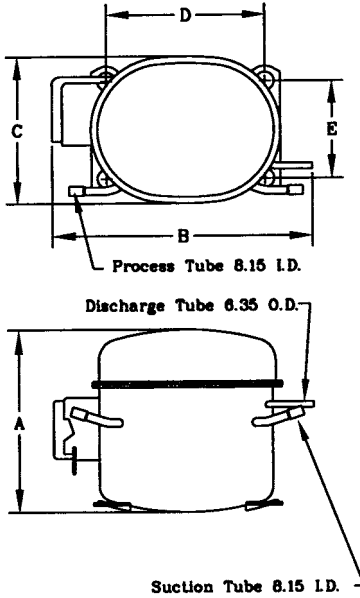


KULTHORN KIRBY PUBLIC CO.,LTD.

TECHNICAL SPECIFICATION

HERMETIC COMPRESSOR
AE4425Y-1
High Torque Start

PRINCIPAL DIMENSIONS - mm



A	189
B	277
C	159
D	165
E	102

ELECTRICAL : 115 Volt. 60 Hz. 1 Phase

Nominal Performance

Cooling Capacity :	820	Watts (2,798)	BTU/Hr
	705	Kcal/Hr	
Power Input :	419	Watts	
Lock Rotor Amps :	24.40	Amps	
Rated Load Amps :	5.54	Amps	
COP :	1.96	Watts/ Watts	

Testing Conditions

Condensing Temperature :	54.4	° C
Evaporating Temperature :	+7.2	° C
Liquid Temperature :	46.1	° C
Return Gas Temperature :	35	° C
Ambient Temperature :	35	° C

Application

Evaporating Range :	HBP @ 0 ° C to +12.7 ° C
Refrigerant :	R134a
Expansion :	Capillary Tube
Compressor Cooling :	Fan

Compressor and Motor data

Compression Type :	Reciprocating
Displacement :	7.55 cc.
Oil Type :	Polyolester Oil
Oil Charge :	357 cc.
Motor Type :	C.S.I.R. ; 2 Pole 3500 r / m
Voltage Range :	97-126 Volts 60 Hz.
Winding Resistance at 25 ° C	
Start :	4.20 Ohms
Run :	1.23 Ohms

Weight with Oil :	10.02	Kg.
Weight with Oil and Accessories :	10.30	Kg.

Electrical Components

Motor Protector :

Type :	External 3/4"
Model Number :	KME 660-38/C (MRT16AJL)
Open / Close :	100-110 / 78-60 ° C
1st Cycle trip at 25 ° C :	18.5 Amps

Motor Starter :

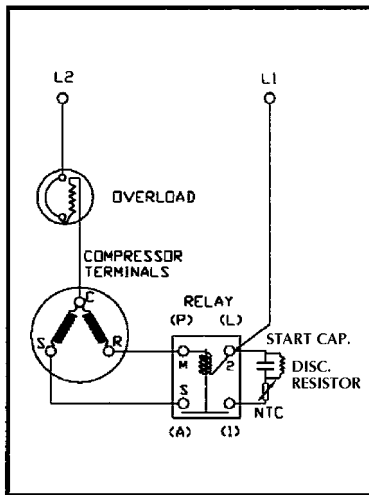
Type :	Current Relay
Model Number :	KME 682-18NT (9660A243NT-179)
Pick Up (max.) :	16.2 Amps
Drop Out(min.) :	14.2 Amps
Terminal Cover :	KMD 901-5

Start Capacitor :	120	μ F	250	VAC.
Run Capacitor :	No	μ F	No	VAC.
Disch. Resistor :	15000	Ohms	2 W	

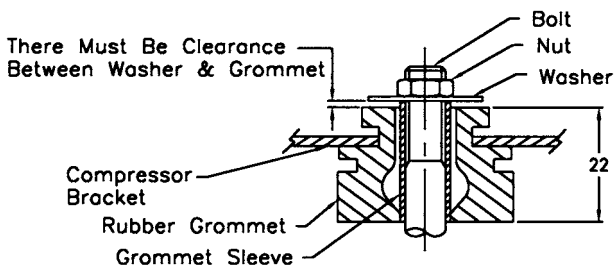
Mounting Kit

Rubber Grommet :	KMD 905-3
Sleeve Grommet :	KMD 903-2
Washer :	KEB 387

SCHEMATIC WIRING DIAGRAM - C.S.I.R.



MOUNTING KIT



Since we are constantly improving our product ,
the specification are subject to change without notice.

REV. DATE

03-09-03

C / N No.

0189/03