



KULTHORN KIRBY PUBLIC CO.,LTD.

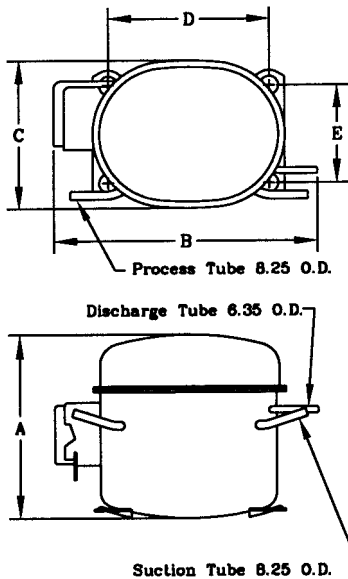
TECHNICAL SPECIFICATION

HERMETIC COMPRESSOR

AE2428ZK-2SR

High Torque Start

PRINCIPAL DIMENSIONS - mm



A	214
B	277
C	159
D	165
E	102

ELECTRICAL : 208-230 Volt. 60 Hz. 1 Phase

Nominal Performance

Cooling Capacity :	800	Watts (2,730)	BTU/Hr
	688	Kcal/Hr	
Power Input :	656	Watts	
Lock Rotor Amps :	20.3	Amps	
Rated Load Amps :	3.2	Amps	
COP :	1.22	Watts/ Watts	

Testing Conditions

Condensing Temperature :	54.4	°C
Evaporating Temperature :	-23.3	°C
Liquid Temperature :	32.2	°C
Return Gas Temperature :	32.2	°C
Ambient Temperature :	32.2	°C

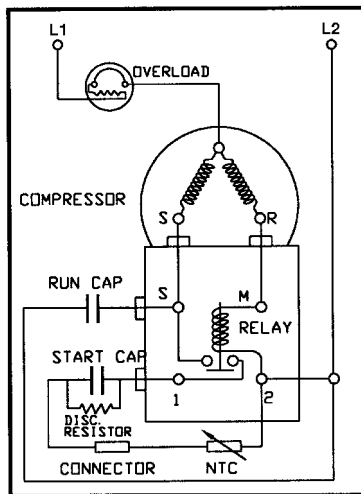
Application

Evaporating Range :	LBP @ -40 °C to -12.2 °C
Refrigerant :	R404A/R507
Expansion :	Capillary Tube
Compressor Cooling :	Fan

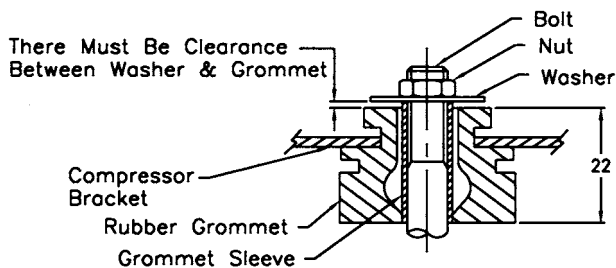
Compressor and Motor data

Compression Type :	Reciprocating
Displacement :	16.08 cc.
Oil Type :	Polyolester Oil
Oil Charge :	480 cc.
Motor Type :	C.S.R. ; 2 Pole 3500 r / m
Voltage Range :	187 - 264 Volts 60 Hz.
Winding Resistance at 25 °C	
Start :	6.30 Ohms
Run :	3.10 Ohms
Weight with Oil :	11.98 Kg.
Weight with Oil and Accessories :	12.38 Kg.

SCHEMATIC WIRING DIAGRAM - C.S.R.



MOUNTING KIT



Electrical Components

Motor Protector :

Type :	External 3/4"
Model Number :	KME 664-5/C (MRP26ALL-34)
Open / Close :	100-110 / 78-60 °C
1st Cycle trip at 25 °C :	15.1 Amps

Motor Starter :

Type :	Current Relay
Model Number :	KME 682-34NT (9660A243NT-166)
Pick Up (max.) :	10.80 Amps
Drop Out(min.) :	9.50 Amps
Terminal Cover :	KMD 901-5

Start Capacitor :	40	μ F	330	VAC.
Run Capacitor :	12	μ F	440	VAC.
Disch. Resistor :	15000	Ohms	2 W	

Mounting Kit

Rubber Grommet :	KMD 905-3
Sleeve Grommet :	KMD 903-2
Washer :	KEB 387

Since we are constantly improving our product , the specification are subject to change without notice.

REV. DATE

01-02-05

C / N No.

0019/05



KULTHORN KIRBY PUBLIC CO., LTD.

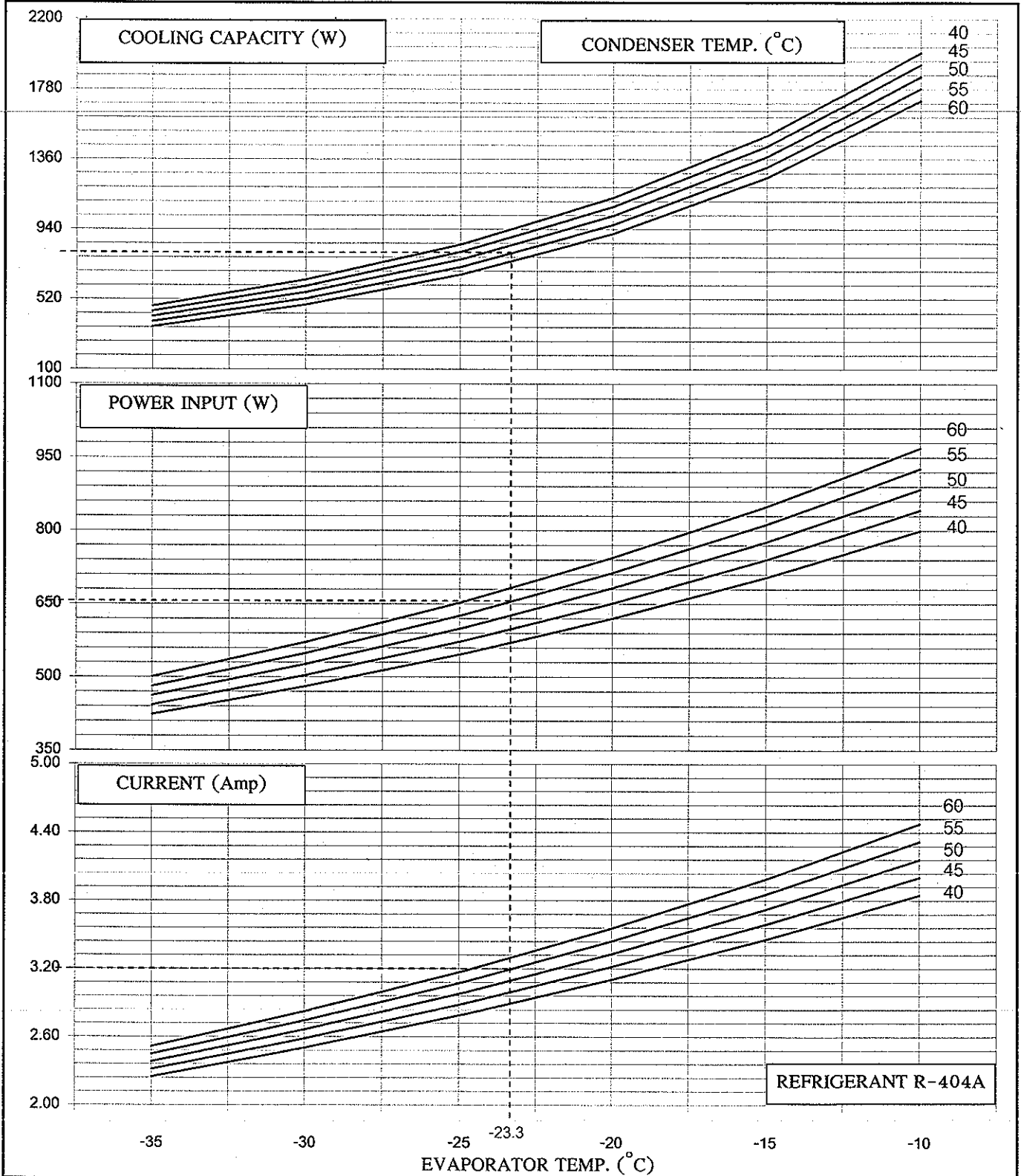
HERMETIC

PERFORMANCE CURVE

COMPRESSOR

AE 2428ZK-2SR

Electrical : 208-230 Volt 60 Hz 1 Phase Motor Type C.S.R



Cooling Capacity	800	W	} At rating Condition
Power Input	656	W	
Current	3.20	Amp	

Prepared by : *T. W. Rogers* Date: 20 / 06 / 07
 Approved by : *L. Chantler* Date: 20 / 6 / 07
 (Supervisor)