



# KULTHORN KIRBY PUBLIC CO.,LTD.

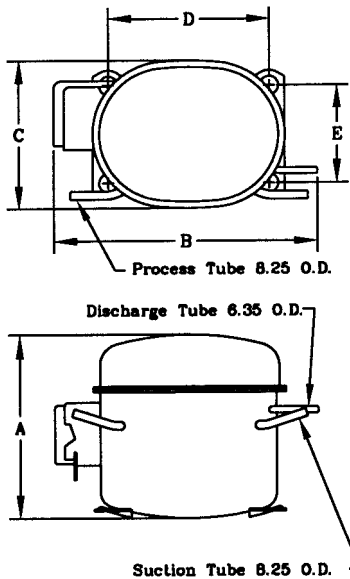
## TECHNICAL SPECIFICATION

# HERMETIC COMPRESSOR

## AE2420ZK-2SR

High Torque Start

### PRINCIPAL DIMENSIONS - mm



A	214
B	277
C	156
D	165
E	102

**ELECTRICAL :** 208-230 Volt. 60 Hz. 1 Phase

### Nominal Performance

Cooling Capacity :	575	Watts ( 1,962 )	BTU/Hr
	494	Kcal/Hr	
Power Input :	475	Watts	
Lock Rotor Amps :	16.9	Amps	
Rated Load Amps :	2.18	Amps	
COP :	1.21	Watts/ Watts	

### Testing Conditions

Condensing Temperature :	54.4	°C
Evaporating Temperature :	-23.3	°C
Liquid Temperature :	32.2	°C
Return Gas Temperature :	32.2	°C
Ambient Temperature :	32.2	°C

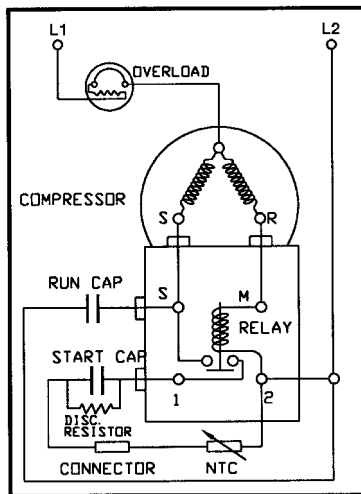
### Application

Evaporating Range :	<b>LBP</b> @ -40 °C to -12.2 °C
Refrigerant :	R404A/R507
Expansion :	Capillary Tube
Compressor Cooling :	Fan

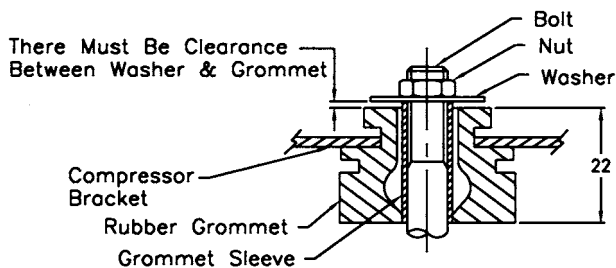
### Compressor and Motor data

Compression Type :	Reciprocating
Displacement :	12.05 cc.
Oil Type :	Polyolester Oil
Oil Charge :	480 cc.
Motor Type :	<b>C.S.R.</b> ; 2 Pole 3500 r/m
Voltage Range :	187 - 264 Volts 60 Hz.
Winding Resistance at 25 °C	
Start :	11.10 Ohms
Run :	4.20 Ohms
Weight with Oil :	12.09 Kg.
Weight with Oil and Accessories :	12.66 Kg.

### SCHEMATIC WIRING DIAGRAM - C.S.R.



### MOUNTING KIT



### Electrical Components

#### Motor Protector :

Type :	External 3/4"
Model Number :	KME 664-6/C (MRP36GL)
Open / Close :	100-110 / 78-60 °C
1st Cycle trip at 25 °C :	13.5 Amps

#### Motor Starter :

Type :	Current Relay
Model Number :	KME 682-13NT (9660A243NT-158)
Pick Up (max.) :	9.0 Amps
Drop Out(min.) :	7.9 Amps
Terminal Cover :	KMD 901-5

<b>Start Capacitor :</b>	40	μF	330	VAC.
<b>Run Capacitor :</b>	10	μF	440	VAC.
Disch. Resistor :	15000	Ohms	2	W

### Mounting Kit

Rubber Grommet :	KMD 905-3
Sleeve Grommet :	KMD 903-2
Washer :	KEB 387

Since we are constantly improving our product ,  
the specification are subject to change without notice.

REV. DATE

01-02-05

C / N No.

0019/05