

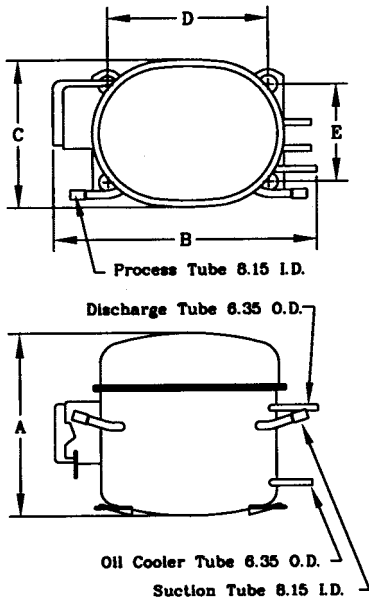


# KULTHORN KIRBY PUBLIC CO.,LTD.

## TECHNICAL SPECIFICATION

**HERMETIC COMPRESSOR**  
**AE2411Y-4SR**  
**High Torque Start**

### PRINCIPAL DIMENSIONS - mm



A	214
B	277
C	159
D	165
E	102

**ELECTRICAL :** 110 Volt. 60 Hz. 1 Phase

### Nominal Performance

Cooling Capacity :	325 Watts ( 1,109 ) BTU/Hr
	279 Kcal/Hr
Power Input :	275 Watts
Lock Rotor Amps :	28.00 Amps
Rated Load Amps :	2.83 Amps
COP :	1.18 Watts/ Watts

### Testing Conditions

Condensing Temperature :	54.4 °C
Evaporating Temperature :	-23.3 °C
Liquid Temperature :	32.2 °C
Return Gas Temperature :	32.2 °C
Ambient Temperature :	32.2 °C

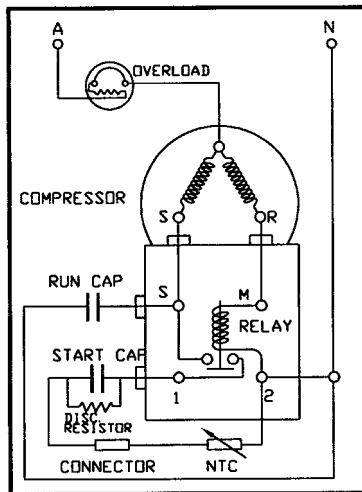
### Application

Evaporating Range :	<b>LBP</b> @ -40 °C to -12.2 °C
Refrigerant :	R134a
Expansion :	Capillary Tube
Compressor Cooling :	Oil Cooler Coil or Fan

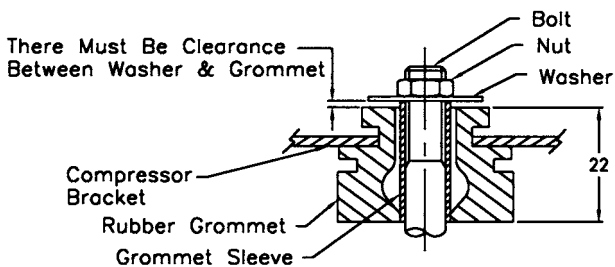
### Compressor and Motor data

Compression Type :	Reciprocating
Displacement :	14.14 cc.
Oil Type :	Polyolester Oil
Oil Charge :	480 cc.
Motor Type :	<b>C.S.R.</b> ; 2 Pole 3500 r / m
Voltage Range :	93-132 Volts 60 Hz.
Winding Resistance at 25 °C	
Start :	6.03 Ohms
Run :	1.01 Ohms
Weight with Oil :	12.22 Kg.
Weight with Oil and Accessories :	12.55 Kg.

### SCHEMATIC WIRING DIAGRAM - C.S.R.



### MOUNTING KIT



### Electrical Components

#### Motor Protector :

Type :	External 3/4"
Model Number :	KME 660-40/C (MRT16AJN)
Open / Close :	115-125 / 65-75 °C
1st Cycle trip at 25 °C :	19.5 Amps

#### Motor Starter :

Type :	Current Relay
Model Number :	KME 682-28NT (9660A243NT-184)
Pick Up (max.) :	18.2 Amps
Drop Out(min.) :	16 Amps
Terminal Cover :	KMD 901-5

<b>Start Capacitor :</b>	108-130 μF	250 VAC.
<b>Run Capacitor :</b>	15 μF	440 VAC.
Disch. Resistor :	15000 Ohms	2 W

### Mounting Kit

Rubber Grommet :	KMD 905-3
Sleeve Grommet :	KMD 903-2
Washer :	KEB 387

Since we are constantly improving our product ,  
the specification are subject to change without notice.

REV. DATE

22-04-02

C / N No.

0099/02