

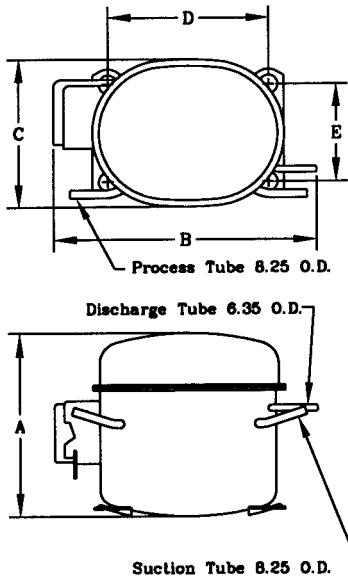


KULTHORN KIRBY PUBLIC CO.,LTD.

TECHNICAL SPECIFICATION

HERMETIC COMPRESSOR
AE2410ZK-3
 High Torque Start

PRINCIPAL DIMENSIONS - mm



A	189
B	277
C	159
D	165
E	102

ELECTRICAL : 100 Volt. 50/60 Hz. 1 Phase

Nominal Performance

Cooling Capacity :	284 / 333	Watts (969 / 1,136)	BTU/Hr
	244 / 286	Kcal/Hr	
Power Input :	280 / 295	Watts	
Lock Rotor Amps :	27.00 / 23.00	Amps	
Rated Load Amps :	5.03 / 4.24	Amps	
COP :	1.01 / 1.13	Watts/ Watts	

Testing Conditions

Condensing Temperature :	54.4	° C
Evaporating Temperature :	-23.3	° C
Liquid Temperature :	32.2	° C
Return Gas Temperature :	32.2	° C
Ambient Temperature :	32.2	° C

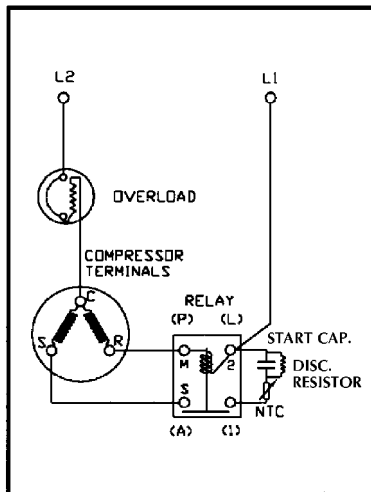
Application

Evaporating Range :	LBP	@ -40 ° C to -12.2 ° C
Refrigerant :	R404A	
Expansion :	Capillary Tube	
Compressor Cooling :	Fan	

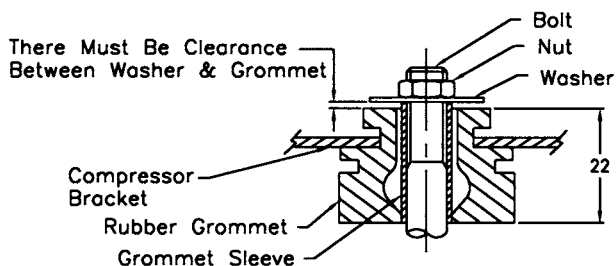
Compressor and Motor data

Compression Type :	Reciprocating
Displacement :	5.99 cc.
Oil Type :	Polyolester Oil
Oil Charge :	357 cc.
Motor Type :	C.S.I.R. ; 2 Pole 2880 / 3500 r / m
Voltage Range :	85 - 115 Volts 50/60 Hz.
Winding Resistance at 25 ° C	
Start :	5.99 Ohms
Run :	1.10 Ohms
Weight with Oil :	10.40 Kg.
Weight with Oil and Accessories :	10.68 Kg.

SCHEMATIC WIRING DIAGRAM - C.S.I.R.



MOUNTING KIT



Electrical Components

Motor Protector :

Type :	External 3/4"
Model Number :	KME 664-2/C (MRT 24 AJN-69)
Open / Close :	115-125 / 78-60 ° C
1st Cycle trip at 25 ° C :	18.6 Amps

Motor Starter :

Type :	Current Relay
Model Number :	KME 682-18NT (9660A243NT-179)
Pick Up (max.) :	16.2 Amps
Drop Out(min.) :	14.2 Amps
Terminal Cover :	KMD 901-5
Start Capacitor :	120 μ F 250 VAC.
Run Capacitor :	No μ F No VAC.
Disch. Resistor :	15000 Ohms 2 W

Mounting Kit

Rubber Grommet :	KMD 905-3
Sleeve Grommet :	KMD 903-2
Washer :	KEB 387

Since we are constantly improving our product ,
 the specification are subject to change without notice.

REV. DATE

03-09-03

C / N No.

0189/03